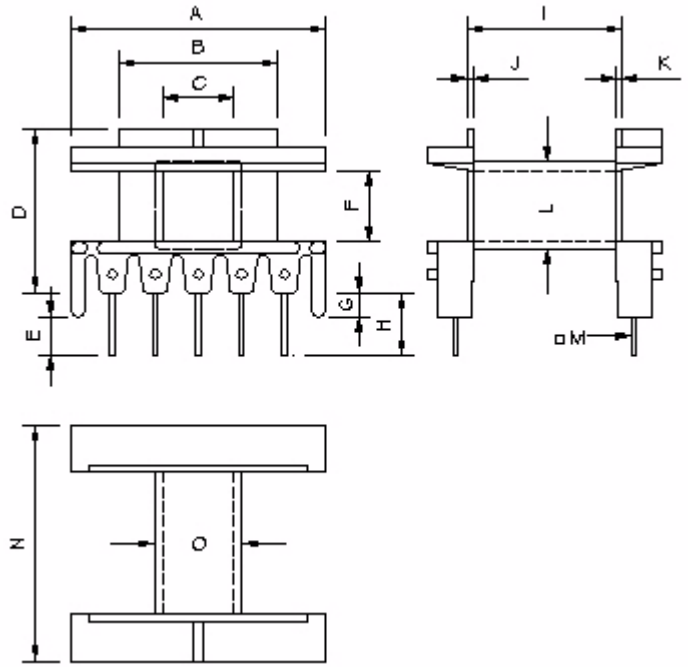
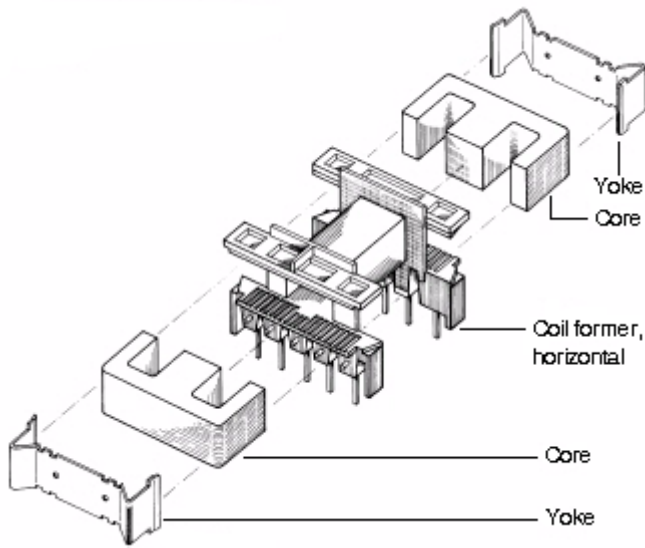


# E COILFORMERS



**HORIZONTAL COILFORMER DIMENSIONS (mm)**

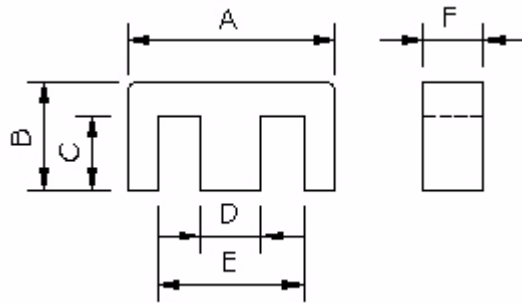
TYPE	A	B	C	D	E	F	G	H	I	J	K	L	M	N	O
E13	14.2	8.7	3.9	10.3	3.5	3.9	1.6	-	8.7	0.6	0.6	5.1	0.45	16.2	5.1
E16	17.8	11.1	4.9	12.1	3.5	4.9	1.6	-	11.2	0.6	0.6	6.1	0.45	20	6.1
E20	22	13.9	6.1	14.6	3.5	6.1	2	-	13.7	0.6	0.6	7.6	0.45	21.2	7.6
E25	27.5	17.3	7.7	17.8	3.5	7.7	2.2	-	17	0.7	0.7	9.4	0.7	28	9.4
E30	35.4	19.2	7.5	20	3.5	7.5	2.6	-	19.1	0.8	0.8	8.9	0.7	31.4	8.9
E32 CD	37.5	22.4	9.8	23	3.5	9.8	3	-	21.9	0.9	0.9	11.6	0.7	35	11.6
E36	38.5	24.2	10.6	27.7	3.5	11.7	3	-	23.5	1	1	14	0.7	37.4	12.8
E42	29.2	29.2	13	35	-	15.8	-	6	28.1	0.9	0.9	17.4	1x 0.4	37.5	15.1
E55	37	37	17.7	44	-	21.7	-	6	35.4	1	1	23.6	1x 0.4	43.5	20.3
E65	43.7	43.7	20.5	53.5	-	27.8	-	6.8	37.2	1	1	30.6	-	48.4	22.8
E70	50	46	23.4	58	-	32.7	-	6	41.5	1.5	1.5	34.9	-	53.8	25.6

Vertical versions available: E13, E16, E20, E25, E30, & E42.

# E CORES

**HORIZONTAL CORE DIMENSIONS (mm)**

TYPE	A	B	C	D	E	F
E13	12.6	6.5	4.5	3.7	8.9	3.7
E14	14.3	7.8	5.2	4.3	10.5	4.5
E16	16	8.2	5.7	4.7	11.3	4.7
E20	20.4	10.1	7	5.9	14.1	5.9
E25	25	12.8	8.7	7.5	17.5	7.5
E30	30	15.2	9.7	7.2	19.5	7.3
E32	32	16.4	11.2	9.5	22.7	9.5
E36	36	18	12	10.2	24.5	11.5
E42	42	21	14.8	17.2	29.5	15.2
E55	55	27.8	18.5	17.2	37.5	21
E65	65	32.8	22.2	20	44.2	27.4
E70	70.5	33.2	21.9	22	48	32



# E COIL FORMER FOOTPRINTS

Hole arrangement view in mounting direction.

