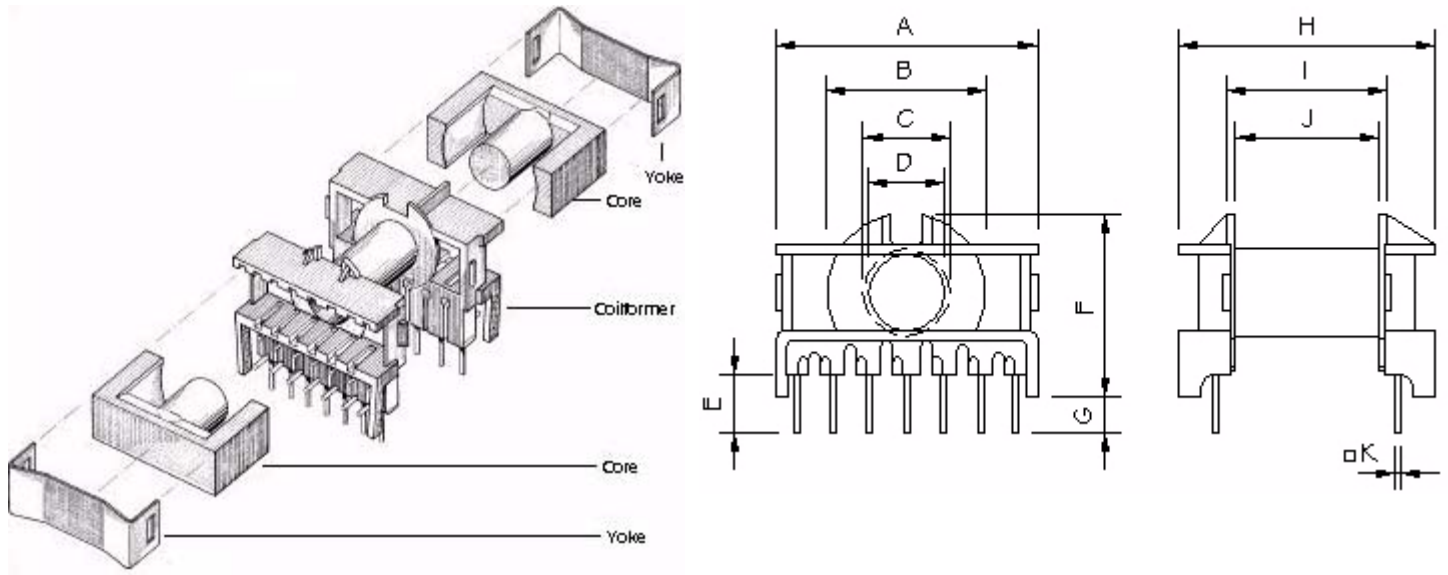


# ETD COILFORMERS



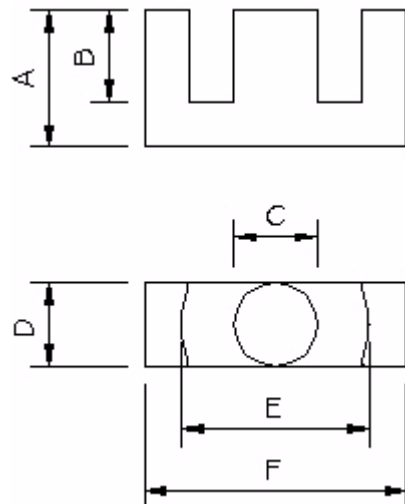
**HORIZONTAL COILFORMER DIMENSIONS (mm)**

TYPE	A	B	C	D	E	F	G	H	I	J	K
<b>ETD29</b>	35.3	21.6	11.8	10	6.4	25	3.5	35.2	21.2	19.4	0.7
<b>ETD34</b>	39.6	25	13.4	11.4	-	34.6	4.5	42.8	23.4	20.9	1
<b>ETD39</b>	44.6	28.9	15.1	13.1	-	37	4.5	47.8	28.2	25.7	1
<b>ETD44</b>	49.6	31.9	17.7	15.5	-	39.9	4.5	52.2	32	29.5	1
<b>ETD49</b>	54.5	35.7	19.2	17	-	42.4	4.5	57.2	35.2	32.7	1
<b>ETD54</b>	61.5	39.15	22	19.8	-	46	4.5	61.5	39.3	36.8	1
<b>ETD59</b>	66.9	42.65	24.9	22.4	-	49.2	4.5	66.4	43.7	41.2	1

Vertical versions available: ETD29, ETD34

# ETD CORES

TYPE	A	B	C	D	E	F
<b>ETD29</b>	16	10.7	9.8	9.8	22	30.6
<b>ETD34</b>	17.5	11.8	11.1	11.1	25.6	34
<b>ETD39</b>	20	14.2	12.8	12.8	29.3	38.9
<b>ETD44</b>	22.5	16.1	15.2	15.2	32.5	43.8
<b>ETD49</b>	24.9	17.7	16.7	16.7	36.1	48.5
<b>ETD54</b>	27.8	19.8	19.3	19.3	40.1	54.5
<b>ETD59</b>	31.2	22	22.1	22.1	43.6	59.8



# ETD COILFORMER FOOTPRINTS

Hole arrangement view in mounting direction. All dimensions in mm.

ETD29	ETD34	ETD39	ETD44
