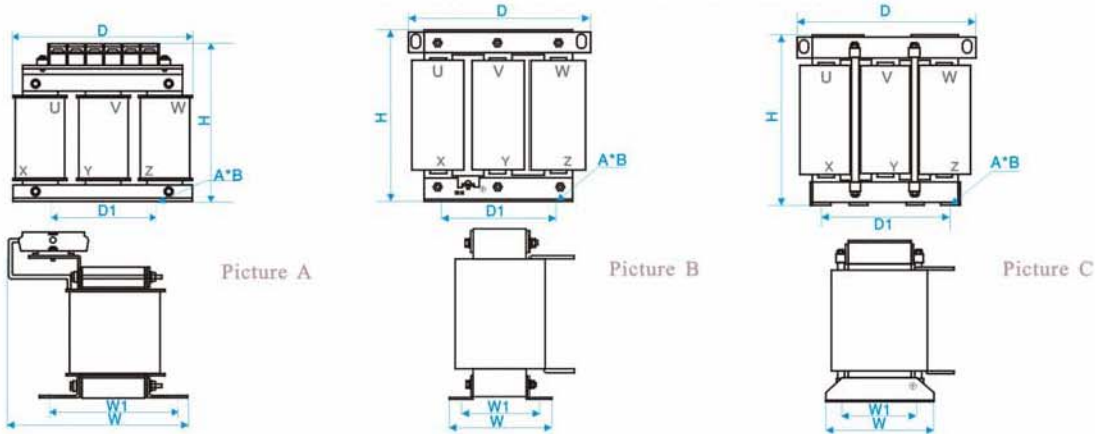


Output AC Reactor

1. **Rated Operating Power:** $\phi 3 / 380V / 50Hz$ and $660V / 50Hz$;
2. **Reactive Strength:** Cored-Winding 3000VAC/50Hz/10mA/60S Free of arcing breakage
3. **Insulation Resistance:** Cored-Winding 1000VDC, insulation resistance value $\geq 100M\Omega$
4. **Reactor's noise is less than 65dB**
(to be measured at the point 1 meter away from the reactor horizontally).
5. **Standard the Product Conforms to:** IEC289: 1987 Reactor GB10229-88 Reactor, equivalent to IEC289: 1987) JB9644-1999 Reactor for semi-conductor transmission



Product Size:

Reactor Type	Adapted Power	Picture NO.	Rated Current	Voltage Drop	Insulation Class	Weight (Kg)	Dimension ($\pm 5mm$)					
							D	D1	W	W1	H	A*B
OCL-0005-EISC	1.5	A	5A	0.5%-1%	F, H	3.4	155	95	110	60	155	6*15
OCL-0007-EISC	2.2		7A	0.5%-1%	F, H	3.6	155	95	110	60	155	6*15
OCL-0010-EISC	3.7		10A	0.5%-1%	F, H	3.6	155	95	110	60	155	6*15
OCL-0015-EISC	5.5		15A	0.5%-1%	F, H	3.6	155	95	110	60	155	6*15
OCL-0020-EISC	7.5		20A	0.5%-1%	F, H	4.0	155	95	110	60	155	6*15
OCL-0030-EISH	11	B	30A	0.5%-1%	F, H	7.6	195	120	110	85	165	8.5*20
OCL-0040-EISH	15		40A	0.5%-1%	F, H	7.8	195	120	110	85	165	8.5*20
OCL-0050-EISH	18.5		50A	0.5%-1%	F, H	10.0	195	120	130	102	165	8.5*20
OCL-0060-EISH	22		60A	0.5%-1%	F, H	10.0	195	120	130	102	165	8.5*20
OCL-0080-EISC	30		80A	0.5%-1%	F, H	11.0	195	120	130	102	165	8.5*20
OCL-0090-EISC	37		90A	0.5%-1%	F, H	11.0	195	120	130	102	165	8.5*20
OCL-0120-EISH	45		120A	0.5%-1%	F, H	18.5	250	182	135	96	220	10*18
OCL-0150-EISH	55		150A	0.5%-1%	F, H	25.0	295	214	140	100	240	11*18
OCL-0200-EISH	75		200A	0.5%-1%	F, H	25.0	295	214	140	100	240	11*18
OCL-0250-EISH	110		250A	0.5%-1%	F, H	28.0	295	214	150	110	240	11*18
OCL-0290-EISH	132	C	290A	0.5%-1%	F, H	32.0	325	243	155	112	270	12*20
OCL-0330-EISH	160		330A	0.5%-1%	F, H	32.0	325	243	155	112	270	12*20
OCL-0390-EISH	185		400A	0.5%-1%	F, H	38.0	325	243	165	122	270	12*20
OCL-0490-EISH	220		490A	0.5%-1%	F, H	58.0	385	260	200	175	340	12*20
OCL-0530-EISH	240		530A	0.5%-1%	F, H	58.0	385	260	200	175	340	12*20
OCL-0600-EISH	280		600A	0.5%-1%	F, H	66.0	385	260	200	175	340	12*20
OCL-0660-EISH	300		660A	0.5%-1%	F, H	75.0	385	260	200	175	340	12*20
OCL-0800-EISH	380		800A	0.5%-1%	F, H	113.0	430	295	215	190	400	12*20
OCL-1000-EISH	450		1000A	0.5%-1%	F, H	125.0	430	295	215	190	450	12*20
OCL-1250-EISH	550		1250A	0.5%-1%	F, H	150.0	490	345	225	195	575	14*25
OCL-1600-EISH	630	1600A	0.5%-1%	F, H	160.0	490	345	225	195	575	14*25	