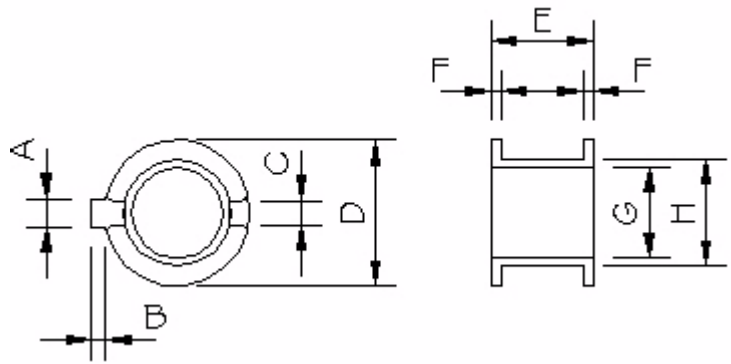
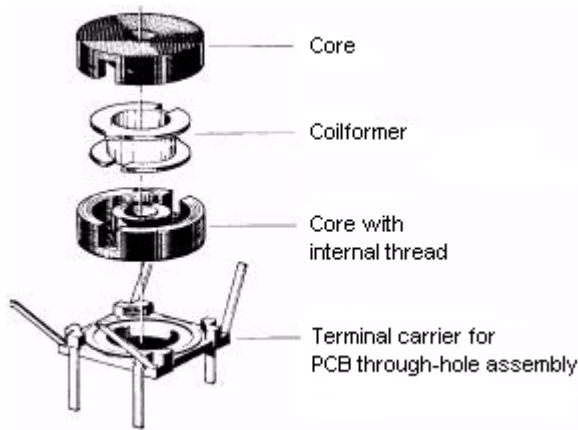


P COILFORMERS (POT CORES)

P 4.6 x 4.1 – P5.8 x 3.3 Coilformers

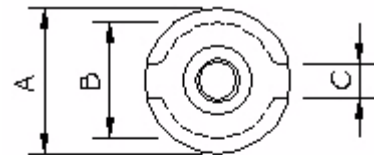


COILFORMER DIMENSIONS (mm)								
TYPE	A	B	C	D	E	F	G	H
P 4.6 x 4.1	0.7	0.35	0.6	3.65	2.55	0.25	2.27	2.67
P 5.8 x 3.3	0.9	0.3	0.8	4.45	2.15	0.25	2.55	3.1

P CORES

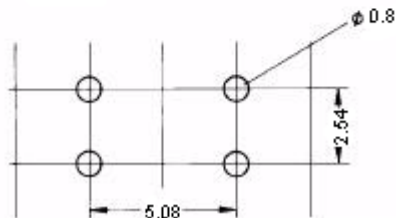
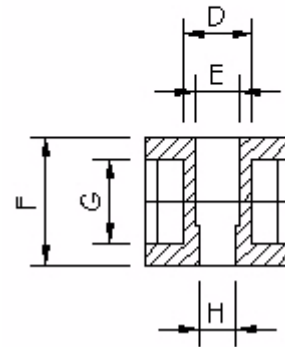
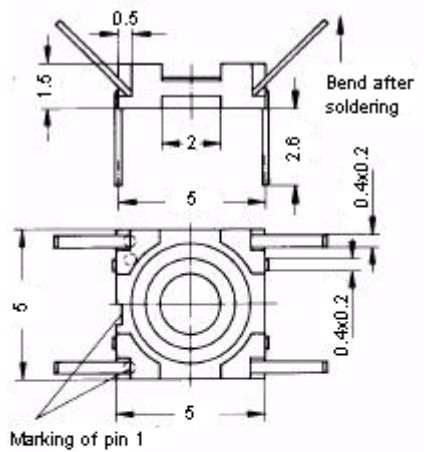
P 4.6 x 4.1 – P5.8 x 3.3 Cores

CORE DIMENSIONS (mm)								
TYPE	A	B	C	D	E	F	G	H
P 4.6 x 4.1	4.65	3.7	1.1	2.2	1.4	4.1	2.7	1.2
P 5.8 x 3.3	5.8	4.5	1.4	2.5	.95	3.3	2.2	-



P 4.6 x 4.1 Terminal carrier & foot print

All dimensions in mm.

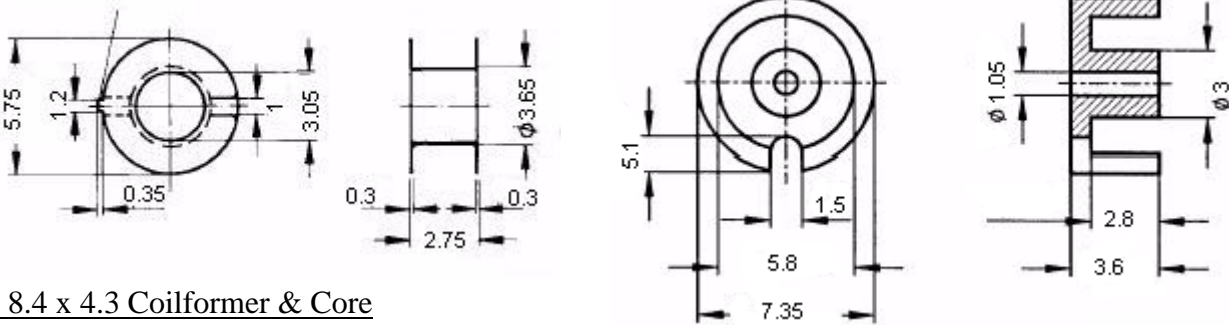


P COILFORMERS & CORES (P Cores for proximity switches)

P 7.35 x 3.6 Coilformer & Core

All dimensions in mm.

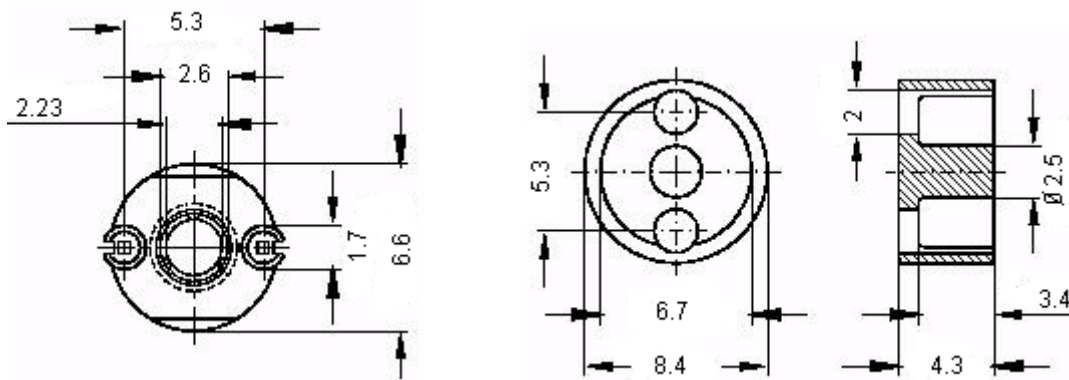
Positioning lug



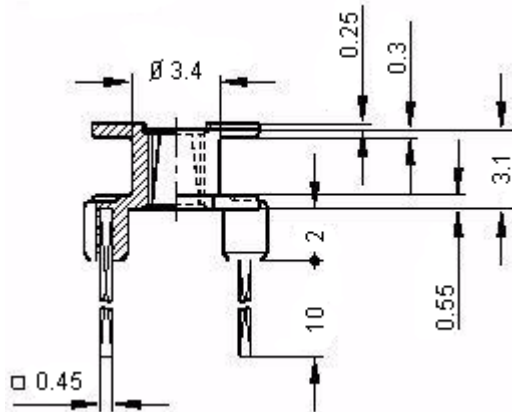
P 8.4 x 4.3 Coilformer & Core

All dimensions in mm.

View from below



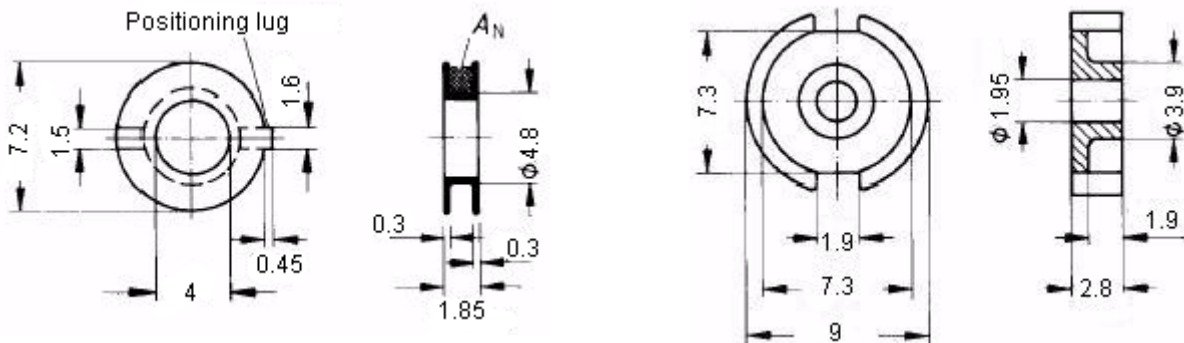
Side view



P 9 x 2.8 Coilformer & Core

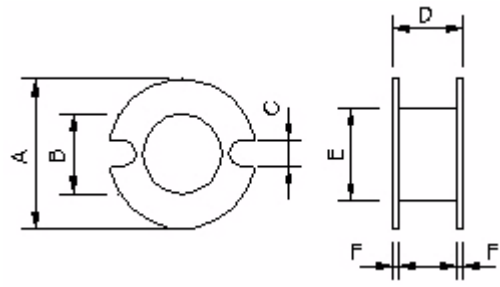
All dimensions in mm.

Positioning lug

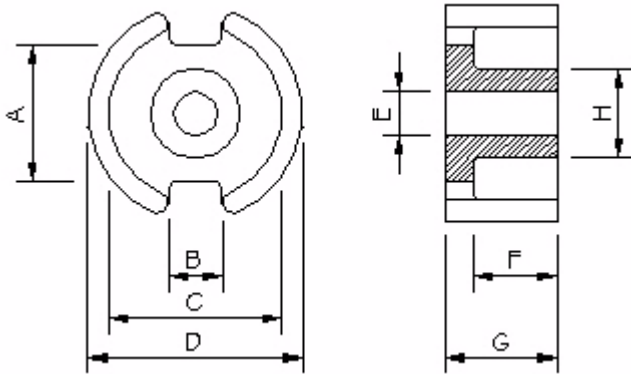


P COILFORMERS (P Cores for proximity switches)

COILFORMER DIMENSIONS (mm)						
TYPE	A	B	C	D	E	F
P9.4 x 4.6	7.4	4	1.5	3.5	4.8	0.35
P14.4 x 7.5	11.5	6.1	2	5.4	7.1	0.5
P25 x 8.9	20.3	11.5	2.5	5.7	12.6	0.6
P30.5 x 10.2	24.7	13.55	3	6.8	15	0.7
P47 x 14.9	37.5	20.2	3.3	9.8	22.3	0.8



P CORES (P Cores for proximity switches)



CORE DIMENSIONS (mm)								
TYPE	A	B	C	D	E	F	G	H
P9.4 x 4.6	5.8	2.1	7.5	9.4	2	3.55	4.6	3.9
P14.4 x 7.5	9.2	3.6	11.6	14.4	2.95	5.6	7.5	6
P25 x 8.9	17.2	3.8	20.5	24.8	5.2	5.9	8.9	11.3
P30.5 x 10.2	20.9	4.7	25	30.5	5.4	7	10.2	13.5
P47 x 14.9	34	8.1	39	47	5.5	10	14.9	20